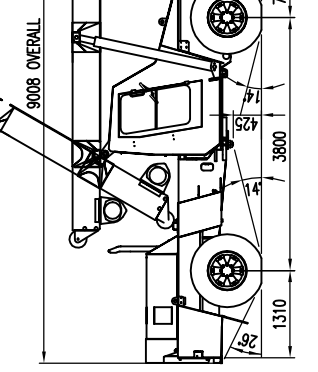
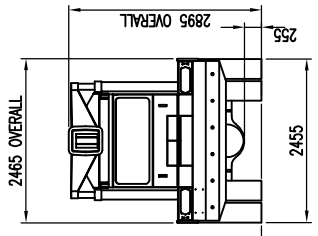
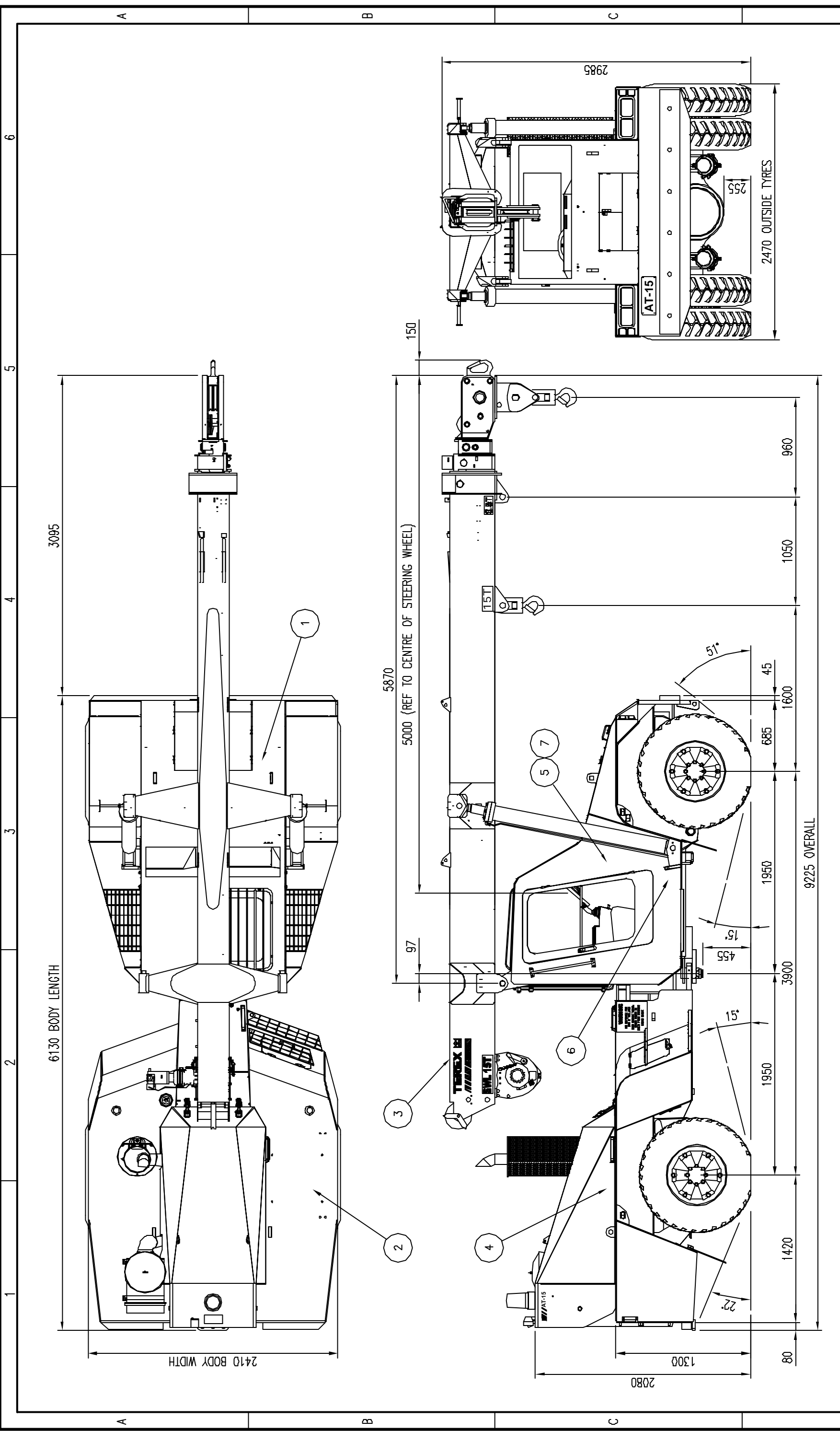


10 TONNE	
SWL (KG)	10' ART.
15000	9800
14000	8800
REAR AXLE	
SWL (KG)	40' ART.
1550	1800
1350	1600





UNLESS OTHERWISE STATED ALL WELDING TO AS1564 CATEGORY SP AND ALL DIMENSIONS IN (mm) & TOLERANCED TO LIMITS SHOWN.		AS 1100	DATE	8/9/04
NOMINAL SIZE	UP TO ABOVE 150	DO NOT SCALE	DRN	NHW
MACHINING	150 UP TO 300	SHEET SIZE	CKD	
FABRICATION	UP TO 1000	SCALE	APPD	
	1000 ABOVE			
	±0.1			
	±0.25			
	±0.5			
	±1.0			
	±1.5			
	±2.5			
Title		DRG No.		
AT-15 CRANE		15-A-1-001		
WITH OM906 2000				
AT-15 SERIES II				
FRANNA PTY LTD		REV		
MOBILE CRANE MANUFACTURERS		-		
ALSA 010 871 046				
THIS DRAWING SHALL REMAIN THE SOLE PROPERTY OF FRANNA CRANES PTY. LTD. & MUST NOT BE COPIED OR DISCLOSED WITHOUT THEIR WRITTEN APPROVAL.		PRODUCT No. : 15A1001-		

NOMINAL TARE  
 FRONT : 5 000 kg  
 REAR : 10 000 kg  
 TOTAL : 16 000 kg

TURNING RADIUS : 6600mm  
 TYRES 11.00 x 20